

MATHCONCEPT

數學 · 思維 Learning Center

Quick Test 7 (Secondary 1 Standard)

- The test has to be completed in 30 minutes.
- The questions follow the latest Syllabuses for Secondary Schools Mathematics (Secondary 1 – 5) from the Hong Kong Curriculum Development Council.

Answers (Free detailed solutions can be obtained in our centers)

- 1) -45 2) 40 3) \$486.4 4) $21 + 3n$ 5) $6x^3 - 11x^2 + 14x - 5$ 6) $-\frac{24}{7}$
 7) 5250 m^3 8) 312° 9) 32° 10) $x = 101^\circ, y = 54^\circ$

Number of correct questions	Comment
0~4	Below average
5~6	Unstable
7~8	Standard
9~10	Distinction

“Quick Test” is only a preliminary assessment. **MATHCONCEPT Diagnostic Test (MDT)** is designed to determine precisely the math level of the student and analyze their strength and weakness on different math topics. You are welcomed to make appointment for assessment in any of our MathConcept center.

MATHCONCEPT Diagnostic Test (MDT)

“MATHCONCEPT Diagnostic Test” consists of two parts and the whole test requires around 60 to 90 minutes to complete. The first part is a written test that designed to evaluate the student's strength and weakness with respect to grade-level material. The second part of the assessment is a series of oral questions that designed to evaluate student's understanding of key math concepts and skills. After the student has completed the assessment, our qualified MATHCONCEPT tutor will then explain thoroughly about the test result to the parents, generate a tailor-made learning plan and give out the curriculum materials that cater to the unique needs of each student.

MATHCONCEPT education at Tseung Kwan O (TKO) 01/09/2015

ASSESSMENT CHART

Date Taken: 12/03/2013 Level P1

TKO-1163
Avg: 71%

Computation 73%	Skip Counting
32,33,52,53	Whole Numbers (+ / -)
1,2,3,4,5,6,7,8,9,10,11,12,13,14,15,16,17,18,54,55,56,57,5	Whole Numbers (mult)
34,35,36,37,38	
Fraction Sense 50%	Half of a Number
24,25	
Measurements 67%	Calendar
67,68	Drawing Missing Lines
42	Length and Distance
64	Time
65,66	
Number Sense 80%	Number Facts
41	Place Values
30,31,47,48	
Problem Solving 40%	Computation
60,61,62	Word Problems
39,40	
Shapes 60%	Identifying Shapes
43,44,45,46,63	
Spatial Relationships 100%	Comparing Objects
49,50,51	
Unit Sense 78%	Money Concepts
19,20,21,22,23	Units of Measurement
26,27,28,29	

Assessment Report

MATHCONCEPT education Level P1, at Tseung Kwan O (TKO) 01/09/2015

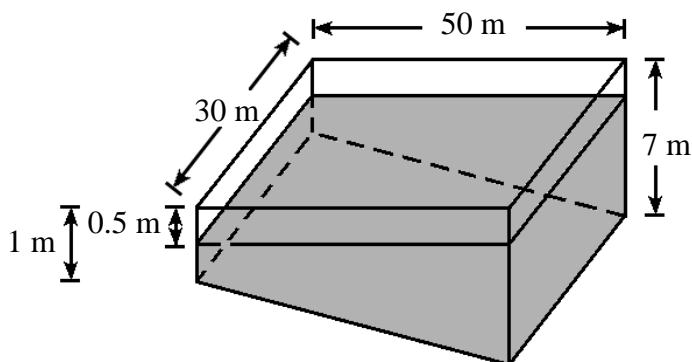
Prescriptive Learning Plan

Topic	Prescriptive	Subtopic
Computation	<input type="checkbox"/> 002_1 Extended Number Facts Addition	Whole Numbers (+ / -)
	<input type="checkbox"/> 003_1 Number Facts Subtraction	Whole Numbers (+ / -)
	<input type="checkbox"/> 014_1 > or < Than 10	Skip Counting
	<input type="checkbox"/> 015_1 Multiplication Basics	Whole Numbers (mult)
	<input type="checkbox"/> 021_2 Subtraction without borrowing	Whole Numbers (+ / -)
	<input type="checkbox"/> FO_32 Addition Practice	Whole Numbers (+ / -)
Fraction Sense	<input type="checkbox"/> 010_1 Half of Odd	Half of a Number
Measurements	<input type="checkbox"/> SC107 Centimeters	Length and Distance
	<input type="checkbox"/> SC108 Length and Distance (cm, mm)	Length and Distance
	<input type="checkbox"/> SC111 Time	Calendar
Number Sense	<input type="checkbox"/> SCA04 Placing Values	Place Values
Problem Solving	<input type="checkbox"/> 018_1 Problem Solving w/Word Problems	Word Problems
	<input type="checkbox"/> EPS101-105 Addition	Computation
	<input type="checkbox"/> EPS106-108 Subtraction	Computation
Shapes	<input type="checkbox"/> SC103 Geometric Shapes	Identifying Shapes
	<input type="checkbox"/> SCA03 Identifying 3-D Shapes	Identifying Shapes
Unit Sense	<input type="checkbox"/> 007_1 Counting Money	Money Concepts
	<input type="checkbox"/> 008_1 Measurement Basics	Units of Measurement

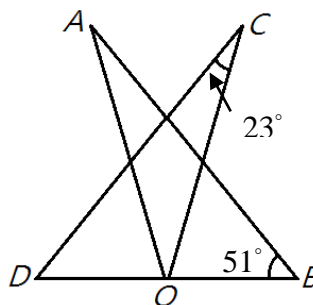
Learning Plan

Quick Test 7

- 1) $-3^2 - (-6)^2 = \underline{\hspace{2cm}}$
- 2) Use clustered values to estimate $9.78 + 10.21 + 10.04 + 9.92$.
- 3) The marked price of a pair of trousers is \$ 320 and now there is a discount of 20%. There is an extra discount of 5% for buying 2 pairs of trousers. How much should be paid for buying 2 pairs of trousers?
- 4) There are 24 seats in the first row. The number of seats in every following row is 3 more than the previous one. How many seats are there in the n^{th} row?
- 5) Expand $(3x^2 - 4x + 5)(2x - 1)$.
- 6) Solve $\frac{4x-6}{3} = \frac{5x+4}{2}$.
- 7) Find the volume of water in the swimming pool below.



- 8) If the second hand of a clock moves 52 seconds, how many degrees does it rotate?
- 9) Given that $\triangle AOB \cong \triangle COD$, find $\angle AOC$.



- 10) In the figure, $l_1 \parallel l_2$, find x and y .

